

TP 100 PTO

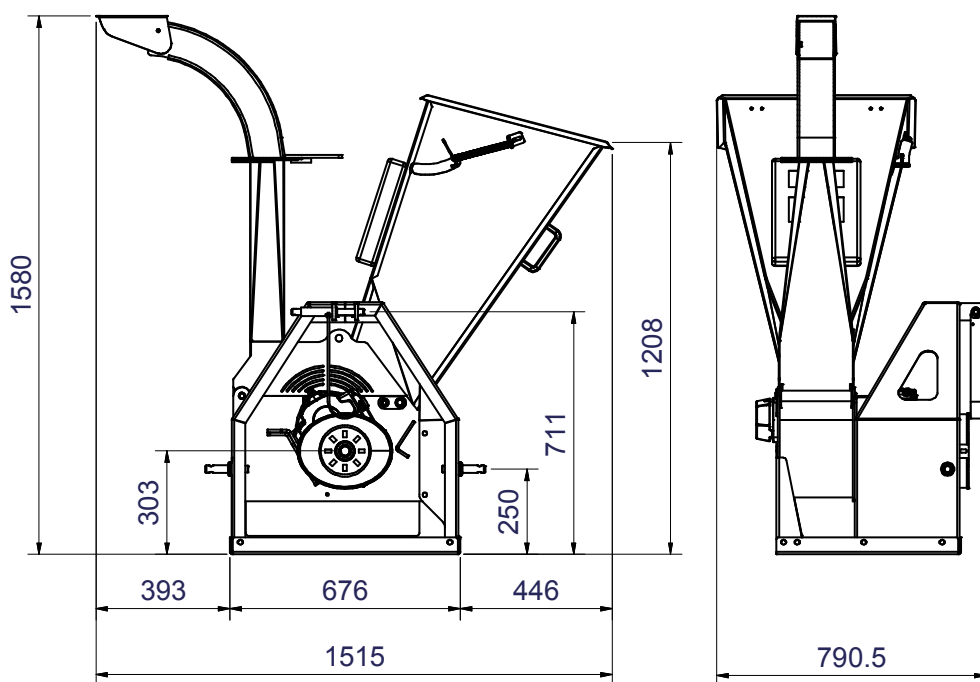
The TP 100 is a drum chipper with a vertical funnel. Compact and effective wood chipper for chipping branches and trees up to 100 mm in diameter. Retraction and cutting the material happens at the combination of the vertical chipper and the knives' position on the drum in relation to the anvil. Effect from 15 to 40 hp.

TP 100 is available for tractor. A small wood chipper with large capacity and very handy in tight places.

Standard on TP 100

- Revolving ejector spout
- Gear
- Two reversible knives
- One anvil in Raex 400
- Comprehensive manual
- PTO linkage





TECHNICAL DATA

Max wood diameter	100 mm
Opening at Drum	H x B = 150 x 275 mm
Chipper principle	Drum
In feed	Vertical
Drum diameter	410 mm
Drum - weight in kg	48
Number of knives	2 pcs. (reversible)
Chip length	5 - 20 mm
Power required	11-29 kW (15-40 hp)
Anvil	1 horizontal
Transmission	Gear for start of wood chipper
Chip capacity	1 - 4 m ³ /hour
Weight	195 kg

EKSTRA Udstyr

Extended ejector spout	300 mm vertical
Tool set	Tools for daily service and maintenance
Bøsningssæt	